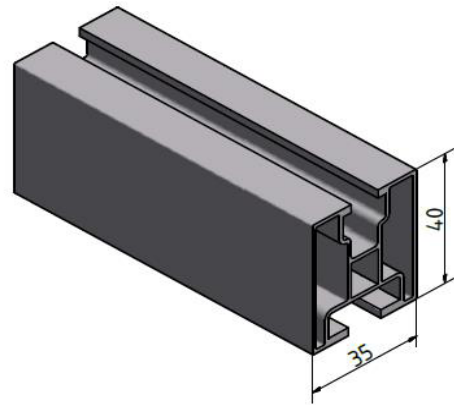


DATA SHEET 002655

INTER SOL QT Light

Type: Universal

High-quality aluminium support rail
 Multifunctional application
 Quick and easy installation
 High stability
 Tested for statics



Material:	Aluminium EN-AW 6060 T66
Length:	5.2 m
Dimensions: (H x W)	40.0 mm x 35.0 mm
Weight:	4.3 kg
Design:	Aluminium profile with guide rails for M10 T-head bolts or carriage bolts M10 or M8
Fastening:	M10 T-head bolts or M10 carriage bolts
Module fastening:	Socket screw with hammerhead nut M8
Range of application:	Pitched roof, flat roof, free lineup
Mounting types:	Single / double layer (cross rail) installation
Maximum span:	2.0 m
DIN-standard:	DIN EN 12020-2